

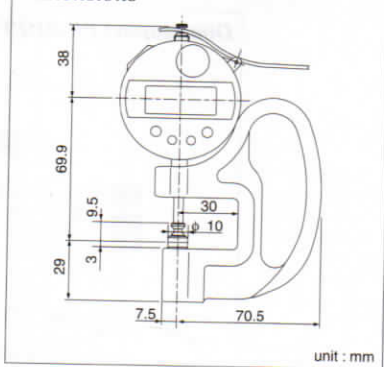


SMD-565L

Conventional type of Model : SMD-565 but without Anvil Adjustment. Resolution 0.001mm Measuring Range 12mm



Dimensions

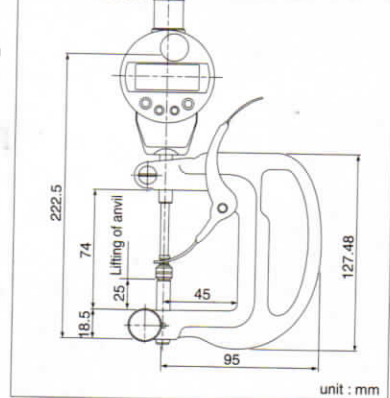


SMD-130

Long stroke digital Thickness Gauge. Resolution 0.01mm Measuring Range 50mm Indication Range 25mm (Lifting of anvil)



Dimensions



Specifications

Model	Resolution (mm)	Measuring Range(mm) () : Indicating Range*1	Accuracy*2 (μm)	Parallelism (μm)	Measuring Force (N)	Contact point form (mm)	Anvil form (mm)	Weight (g)
SMD-565L	0.001	12	3	3	1.5 or less	φ 10 Flat	φ 10 Flat	410
SMD-130	0.01	50 (25)	30	5	2.0 or less	φ 10 Flat	φ 10 Flat	610

*1 Indicating value in () is a measuring range of digital sensor. *2 The quantizing error is not included.

Constant Pressured Thickness Measuring Instrument

Thickness measuring method for tested piece used for physical test such as rubber, heat plasticity elastomer, plastic film, cloth, textile, leathers, are ruled in detail by JIS or ISO standard. PG/PF series are digital type thickness measuring instrument in compliance with these major standard. Stand type (fixed type) and frame type (handy type) are widely used for test & research dept., quality control dept. and manufacturing line.

Features

- Wide range of line-up complying with various standard of the field are available.
- High accuracy digital type with weight type for all the versions realizing stable static load, which is not got by analog type utilizing gears or springs.
- PG series uses micro-granite which is superior for abrasion resistance, chemical resistance, impact resistance in addition to high unstriated for measurable table. It can avoid scratches and stains for metal.
- Stainless steel is used for contact point and anvil (excluding partial model). Acid resistance, alkali proof, water resistance are improved.
- Power source is silver oxide batteries (SR-44) which is convenient to carry.
- This makes treating statistics of measured data possible with connected to optional printer SD-763P.
- Please refer to the next page for specifications of each model.

SD-763P
(Printer = Option)



ZE-018
(Connecting cable = Option)

PG-20

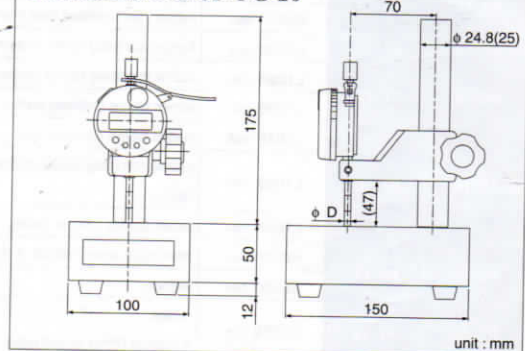
PG SERIES stand type

PG-20 is the thickness measuring instrument compliant with A Law for measuring thickness which is standardized in JIS K 6250 (ruled in physical test method general rule of rubber for vulcanized rubber and thermoplastic rubber.)

This is sheet block compatible type which can measure both thickness of test piece hardness IRHD below 35 and over 35 by this one unit. Contact point is diameter 5mm and pressure can be changed by only attaching and detaching weights.



Dimensions: PG-01~PG-20



PG-20

JIS K 6250 Method A